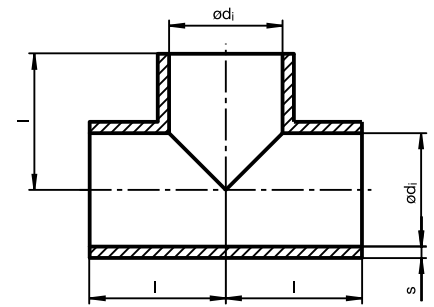


Zellstoff- abmessungen

Ausführung mit stumpf
eingeschweißtem Stutzen

Metric sizes

version with butt-welded branch



DN	Länge Length	Gewicht in kg/Stück bei Wanddicke s in mm Weight in kg/pc. at wall thickness s in mm					
Ø di	l	2	2,5	3	4	5	6
200	200	6,0	7,5	9,0			
250	250	9,4	11,8	14,2			
300	300	13,7	17,1	20,6			
350	350	18,5	23,3	27,9	37,4		
400	400	24,0	30,0	36,0	48,0		
450	450	30,5	38,0	46,0	61,5	77,0	
500	500	37,8	47,5	57,0	76,0	95,0	
600	600	55,0	68,0	82,0	109,0	136,0	164,0
700	700	74,0	93,0	111,0	148,0	185,0	222,0
800	800	97,0	121,0	145,0	193,0	242,0	290,0
900	900	123,0	153,0	183,0	244,0	306,0	366,0
1000	1000	151,0	189,0	226,0	302,0	378,0	452,0
1200	1200	218,0	273,0	326,0	435,0	545,0	651,0
Ø di	l	2	2,5	3	4	5	6

Technische Änderungen vorbehalten · Subject to technical changes